



**HOME MICRO HI-FI SYSTEM WITH  
MW/FM-STEREO RADIO, CD/CD-R/CD-RW  
USB MP3 PLAYER AND ALARM CLOCK.**

**HIF-3650UMP**

Instruction manual

Bedienungsanleitung

www.roadstar.com  
Roadstar management SA, via Passeggiata 7 CH 6883 Novazzano (Switzerland)



**WARNINGS**

The exclamation point within the triangle is a warning sign alerting the user of important instructions accompanying the product.



The lightning flash with arrowhead symbol within the triangle is a warning sign alerting the user of "dangerous voltage" inside the unit.



To reduce the risk of electric shock, do not remove the cover. No user serviceable parts inside the unit. Refer all servicing to qualified personnel.



This unit employs a laser. Only a qualified service person should remove the cover or attempt to service this device, due to possible eye injury.



Invisible laser radiation when the unit is opened or interlocks defeated. Avoid exposure to laser beam. Use of controls, adjustments or procedures other than those specified herein may result in hazardous radiation exposure.

230v~

This unit operates on 230V ~ 50Hz. If the unit is not used for a long period of time, remove the plug from the AC mains.



This unit must not be exposed to moisture or rain.



The power switch in this unit is mounted on the secondary circuit and does not disconnect the whole unit from the mains in OFF position.



Ensure all connections are properly made before operating the unit.



This unit should be positioned so that it is properly ventilated. Avoid placing it, for example, close to curtains, on the carpet or in a built-in installation such as a bookcase.



Do not expose this unit to direct sunlight or heat radiating sources.

**Correct Disposal of This Product**  
(Waste Electrical & Electronic Equipment)



This marking shown on the product or its literature, indicates that it should not be disposed with other household wastes at the end of its working life. To prevent possible harm to the environment or human health from uncontrolled waste disposal, please separate this from other types of wastes and recycle it responsibly to promote the sustainable reuse of material resources.

Household users should contact either the retailer where they purchased this product, or their local government office, for details of where and how they can take this item for environmentally safe recycling.

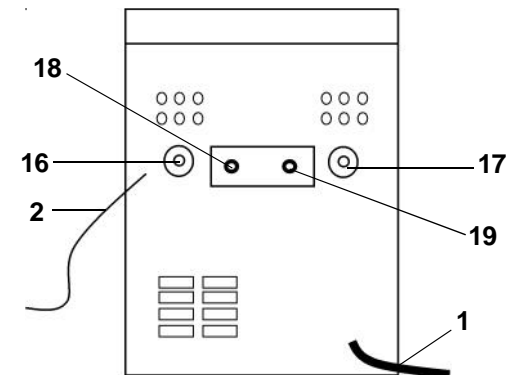
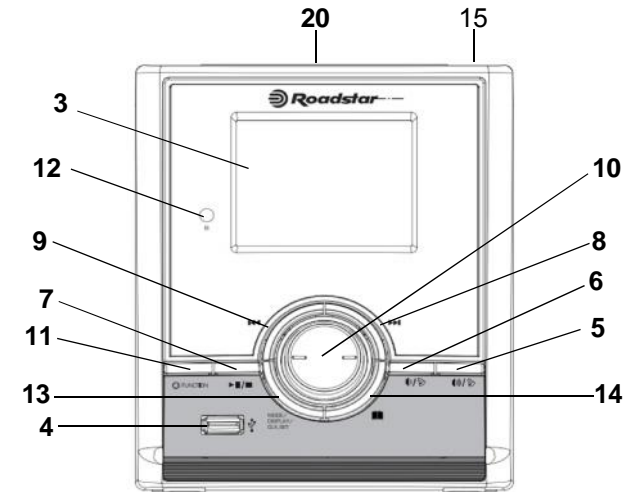
Business users should contact their supplier and check the terms and conditions of the purchase contract. This product should not be mixed with other commercial wastes for disposal.

**HIF-3650UMP**

**Micro Hifi System with Compact Disc / MP3 Player, USB, MW/FM-stereo radio and Remote Control.**

**INSTRUCTION MANUAL**

Please read this instruction manual carefully and familiarize yourself with your new HiFi system before using it for the first time. Please retain this manual for future reference.





- Repeat step 3 & 4 for setting Month, Date, 12/24Hr, Hour and Minute

### ALARM SETTING

ALARM setting must be after completed clock setting. Unit must be in "STANDBY" mode.

Below is using "AL 1" alarm setting for example:

- Press and hold the "AL 1" button for 2 seconds to entry alarm set mode.
- Adjust hour by pressing the "SKIP+" (8) or "SKIP-" (9) button, press the "AL 1" button to confirm.
- Adjust minute by pressing the "SKIP+" or "SKIP-" button, press the "AL 1" button to confirm.
- Press the "SKIP +" (8) or "SKIP -" (9) button to select below 1, 2, 3 or 4 for wake-up function:

1 - FM

2 - MP3 (DISC)

3 - USB

4 - BUZZ

- Press the "AL1" button to confirm. The display will show "AL1", ALARM set is complete.
- Press the "AL1" button to activate alarm ON/OFF function.
- When "AL1" is OFF, "AL1" will disappear from the display.

### SNOOZE FUNCTION

SNOOZE must be after completed ALARM setting. When the timer is triggered. You may press the "SNOOZE" button to delay the alarm for another 10 minutes.

### AUX-IN FUNCTION

- Use a 3.5mm Male-to-Male Stereo cable to connect any external audio device with a 3.5mm Headphone or Line-Out jack to the AUX IN jack on the front panel of the stereo.
- Start playback on the external audio device. Adjust the volume on the audio device (do not set the volume too high to avoid distortion). You may also adjust the volume on the appliance.
- To control playback function, use the controls provided by the external audio device.

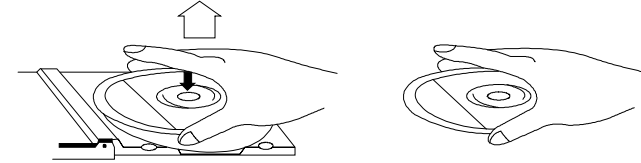
### ATTENTION!

**THIS PRODUCT IS ALSO ABLE TO REPRODUCE CD-RW DISCS, HOWEVER IT COULD HAPPEN THAT DURING PLAYBACK SOME TYPE OF DISCS CANNOT BE PLAYED PROPERLY. THEREFORE, FULL PLAYABILITY WITH ALL CD-RW DISCS IS NOT GUARANTEED.**

### HANDLING COMPACT DISC

- To remove a disc from its storage case, press down on the centre of the case and lift the disc out, holding it carefully by the edges.  
Fingerprints and dust should be carefully wiped off the disc's recorded surface with a soft

cloth. Unlike conventional records, compact discs have no grooves to collect dust and microscopic debris so gently wiping with a soft cloth should remove most particles. Wipe in a straight line from the inside to the outside of the disc. Small dust particles and light stains will have absolutely no effect on reproduction quality.



- Never use chemicals such as record sprays, antistatic sprays, benzene, or thinners to clean compact discs. These chemicals can irreparably damage the disc's surface.
- Discs should be returned to their cases after use. This avoids serious scratches that could cause the Laser pickup to skip.
- Do not expose discs to direct sunlight, high humidity, or high temperatures for extended periods. Long exposure to high temperatures can warp the disc.
- Do not stick paper or write anything with a ballpoint pen on the label side of the disc.

### COMPACT DISC / USB OPERATION

#### LOADING AND UNLOADING COMPACT DISCS

- Set the Function Selector (11) to the CD /USB/SD Position.
- Open the disc compartment by pressing on the CD OPEN right corner.
- When the disc compartment has opened, remove a disc from its case and place it carefully in the compartment with the label side facing up. Locate smaller, 3" discs, in the centre depression of the compartment.
- Close the disc compartment.  
When the compartment is fully closed, the disc will start turning automatically. The total number of tracks of the CD will appear on the LCD display (3).

#### CAUTION

- Do not put anything except a compact disc into the compartment. Foreign objects can damage the mechanism.
- Keep the disc compartment closed when not in use to prevent dirt and dust from entering the mechanism.
- Never place more than one disc into the disc compartment at any time.
- If the disc is correctly loaded, the following information will be displayed:

Total number of tracks on the disc

**Notes:** After the disc compartment is fully closed, the disc information may not appear on the display. This means that the disc is improperly loaded (most likely it is upside down). To check, open the disc compartment again and reload the disc.

**NORMAL DISC PLAY**

- Open the disc compartment by lift on the CD OPEN right corner and load a CD.
- Close the disc compartment.
- Press the PLAY / PAUSE button (7). The disc play will begin from the start of the first track of the disc.
- A particular track can be selected using either the CD Skip buttons (8,24). If this is done before pressing the PLAY / PAUSE (7) button, disc play will start with the selected track when the PLAY / PAUSE button is pressed.
- At the end of the disc, the unit will switch to stop mode.

**Notes:** If the disc is deeply scratched, or too dirty, disc play may not start.

If on improperly centred disc is played, noise can be heard in the mechanism. The use of such discs should be avoided.

**IMPORTANT INFORMATION**

This compact disc player has built-in error compensation circuits to correct for minor defects in a disc.

There are limits, however, to the amount of correction available.

In some cases, the CD / MP3 player may skip some tracks on a disc during disc play. This problem may be caused by defects (such as scratches) in the disc being played, which are too large for the error compensation circuits to handle. If you encounter this problem, check the CD player's operation as follows, before having the unit serviced:

Play a new disc. If the CD player operates normally, the skipping problem is probably due to a defective disc.

**TO STOP A CD PART WAY THROUGH**

- Press the Stop button (7). Disc play will stop and the display will show the total number of tracks for the CD.
- To temporarily stop disc play (pause mode), press the Play / Pause button. Disc play will pause at the current play position. The Play/Pause indicator will flash.
- To resume disc play, press the Play/Pause (7) button again.

**TRACK SKIP (CD / USB)****STARTING DISC PLAY FROM THE BEGINNING OF A PARTICULAR TRACK**

- Press the Forward or Reverse Skip / Search Track button (8,9) to select the desired track. The number of the selected track will be shown on the display. Press the Play/Pause button to start play.

**TO SKIP TO THE NEXT TRACK**

- Press the Forward Skip / Search Track button (8) once. Play will resume at the beginning of the next track.

The player will skip ahead to the next track each time the Forward Skip / Search Track button is pressed. Continuously pressing the Forward Skip / Search Track button makes the player skip ahead through the track by track. Once the beginning of the last track is reached the player will not advance any further.

**TO SKIP BACK TO THE PREVIOUS TRACK (CD / USB)**

- Press the Reverse Skip / Search Track button (8/9). If this button is pressed in the middle of a track, the player will skip back to the beginning of that track. To make it skip back to the previous track press the Reverse Skip / Search Track button (9) twice. Continuously pressing the Reverse Skip / Search Track button makes the player skip back through the disc track by track. Once the beginning of the first track is reached, the player will not go back any further.

**Notes:** Tracks can be selected even when the Compact Disc compartment is open. However if a track number is selected that is not present on the CD, disc play will start from the beginning of the last track.

**PROGRAMMED PLAYBACK (CD / USB)**

It is not possible to enter programs during CD/USB play. Press the Stop button (7) first, then follow the instructions below.

Press the PROGRAM button (13). "P01" and the PROGRAM indicator will light up.

Press the Forward and Reverse Skip Track buttons (8/9) to select the track to be stored in position 1.

Press the PROGRAM button (13). The first program selection is now stored in the program memory 1.

Select the next track to be programmed using the Forward and Reverse Skip Track (8/9) buttons.

Press the PROGRAM button (13) to store this track.

Continue entering tracks in this way until all the desired tracks are stored (up to a limit of 20).

When the PROGRAM button (13) is pressed to store the 20th track, the display will return to the 1st program location. Press the PROGRAM button (13) to step through the program locations.

**Listening to Programmed Tracks (CD / USB)**

Press the Play/Pause button (7). Disc play will start at the beginning of the first programmed track.

**To Clear The Program Memory (CD / USB)**

If the disc is playing, press the Stop button (25) to stop the disc.

Switch the Function (11) selector to a different position (RADIO/AUX) to clear the Program.

## **REPEAT PLAY (CD / USB)**

Use the MODE button (13) to listen to an entire disc, Album or one track repetitively.

### **For repeat play of one track**

Press the Play/Pause button (7), then press the MODE button once.

The REPEAT indicator will light up.

Select the desired track by pressing the Forward or Reverse Skip Track buttons (8,9). The selected track will be shown on the CD display.

The selected track will then begin playing through to its end. At which point it will automatically return to the beginning of that track. This will continue until the Stop button (25) is pressed.

If the MODE button (13) is pressed three times more, the Repeat indicator will go off, Repeat play will end, and normal disc play will resume from that point.

When the selected track has finished playing, the CD play will Stop.

### **For repeat play of Album or all the tracks on the CD / USB**

Press the Play/Pause button (7), then press the MODE button (13) twice.

The REPEAT ALBUM indicator will light up.

The player will then begin playing through to the end of the last track. At which point it will automatically return to the beginning of the first track. This will continue until the Stop button (7) is pressed.

If the MODE button (13) is pressed twice more, the Repeat indicator will be cancelled, repeat play will end, and normal disc play will resume from that point.

When the last track has finished playing, the CD player will then Stop.

### **Random Function**

Press the "MODE" button 4 times to select the RANDOM function.

## **EQUALIZER**

Press and hold the "ALBUM" button (14), each press switch the EQ function as follows:

1. C = CLASSIC
2. r = ROCK
3. P = POP
4. J = JAZZ
5. F = FLAT (NORMAL)

## **IMPORTANT**

Since movement of the CD mechanism and the sensitive circuitry may cause interference to a radio tuner nearby switch this unit off while operating other radio devices. This product utilizes a laser

**Danger -** Invisible laser radiation when opened and interlock failed or defeated. Avoid direct exposure to the beam.

**Caution -** Use of controls, adjustments, or procedures not listed in this manual may result in hazardous radiation exposure.

## **Concerning Compact Discs**

Only compact discs identified with this mark can be used with this player.

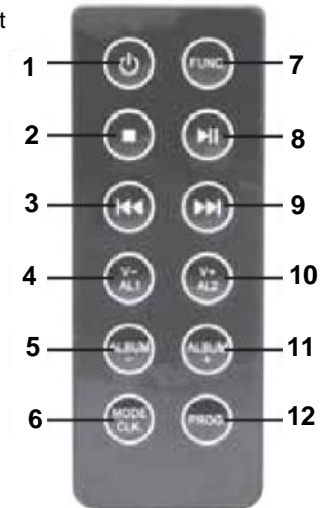


## **REMOTE CONTROL UNIT**

1. Remove the battery film from the battery compartment

### **REMOTE CONTROL:**

1. POWER ON/OFF BUTTON
2. STOP BUTTON
3. SKIP I<<
4. ALARM 1
5. ALBUM -
6. MODE BUTTON
7. FUNCTION BUTTON
8. PLAY / PAUSE BUTTON
9. SKIP >>I
10. ALARM 2
11. ALBUM +
12. PROGRAM BUTTON



## **BATTERY REPLACEMENT**

When the remote control operation becomes unstable or the distance from which remote control is possible becomes shorter, replace the batteries with new ones.

## **SPECIFICATIONS**

### **Power Supply**

AC: 230V ~ 50Hz, 11W

### **Radio Frequency Coverage**

FM: 87.5 - 108MHz

MW: 520 - 1620 kHz

### **CD Player**

Pick Up: 3-Beam. Semiconductor Laser

Encoding: 16-Bit Linear, 2 x oversampling

Design and specifications are subject to change without notice.

## SICHERHEITSHINWEISE



Das Ausrufszeichen im Dreieck weist den Benutzer auf wichtige Bedienungs- und Wartungsanweisungen (Service) in diesem Handbuch hin, die unbedingt zu befolgen sind.



Das Blitzsymbol im Dreieck weist den Benutzer auf "gefährliche Spannungen" an einigen freiliegenden Bauteilen im Innem des Gerätes hin.



Um die Gefahr elektrischer Schläge auszuschliessen, Gehäuse auf keinen Fall abnehmen. Im Innem befinden sich keine vom Benutzer selbst instandsetzbaren Teile. Reparaturen dürfen nur von einer autorisierten Fachwerkstatt durchgeführt werden.



Dieses Apparat benützt einen Laserstrahl, da Gefahr Augenschädern besteht, darf nur qualifiziertes Personal den Deckel des Gerätes aufheben, entfernen oder reparieren.



Dunkelstrahlung bei geöffneten Geräten und defektem Verschluss. Bedienung oder Regulierung der technischen Eigenschaften oder sonstige nicht spezifizierte Prozeduren auf dieser manuellen Betriebsart können zur Aussetzung gefährlicher Laserstrahlen führen.

230V~

Dieses Gerät ist für 230V ~ 50Hz Netzspannung ausgelegt. Bei längerer Nichtbenutzung des Geräts ziehen Sie den Stecker aus der Steckdose.



Setzen Sie das Gerät weder Feuchtigkeit noch Regen aus.



Der EIN-Schalter dieses Geräts ist an den Sekundärschaltkreis angeschlossen. Seine Abschaltung unterbricht die Hauptstromzufuhr des Geräts nichts.



Schalten Sie das System erst dann ein, wenn Sie alle Verbindungen genau geprüft haben.



Stellen Sie das Gerät so auf, dass immer eine ungestörte Frischluftzufuhr sichergestellt ist. Es ist zum beispiel keinesfalls auf Teppiche und in der Nähe von Gardinen zu stellen oder in Bücherregale einzubauen.



Setzen Sie das Gerät weder direkter Sonneneinstrahlung noch Wärmequellen aus.

### Korrekte Entsorgung dieses Produkts (Elektromüll)



Die Kennzeichnung auf dem Produkt bzw. auf der dazugehörigen Literatur gibt an, dass es nach seiner Lebensdauer nicht zusammen mit dem normalen Haushaltsmüll entsorgt werden darf. Entsorgen Sie dieses Gerät bitte getrennt von anderen Abfällen, um der Umwelt bzw. der menschlichen Gesundheit nicht durch unkontrollierte Müllbeseitigung zu schaden. Recyceln Sie das Gerät, um die nachhaltige Wiederverwertung von stofflichen Ressourcen zu fördern.

Private Nutzer sollten den Händler, bei dem das Produkt gekauft wurde, oder die zuständigen Behörden kontaktieren, um in Erfahrung zu bringen, wie sie das Gerät auf umweltfreundliche Weise recyceln können.

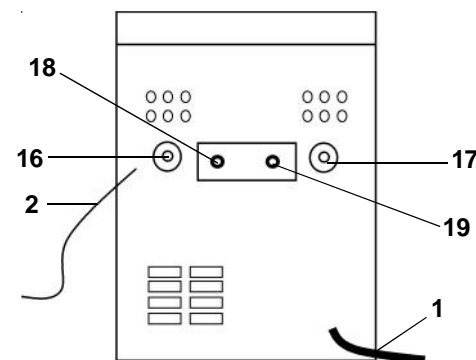
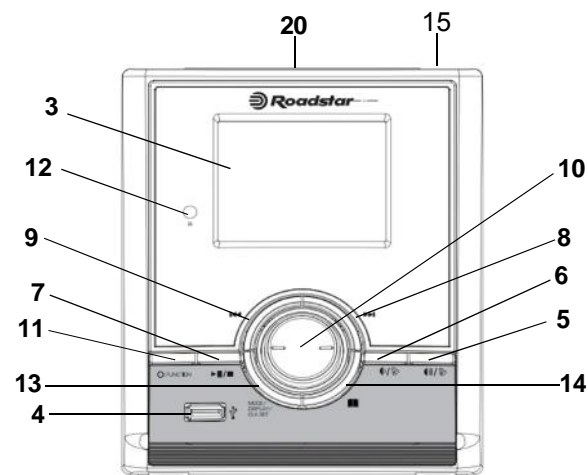
Gewerbliche Nutzer sollten sich an Ihren Lieferanten wenden und die Bedingungen des Verkaufsvertrags konsultieren. Dieses Produkt darf nicht zusammen mit anderem Gewerbemüll entsorgt werden.

## HIF-3650UMP

### MIKRO-HIFI-SYSTEM MIT CD-USB/MP3 SPIELER, MW/STEREO-UKW RADIO UND FERNBEDIENUNG.

### BEDIENUNGSANLEITUNG

Bitte lesen Sie aufmerksam diese Bedienungsanleitung, um sich mit Ihrem neuen HiFi-System vertraut zu machen, bevor Sie es zum ersten Mal in Betrieb nehmen. Bitte bewahren Sie diese Anleitung auf, um später jederzeit nachschlagen zu können.



## LAGE DER BEDIENUNGSELEMENTE

---

1. Netz-Kable
2. UKW-Antenne
3. LCD-Anzeige
4. USB Port
5. Lautstärke-Regler oben / Alarm 1
6. Lautstärke-Regler unten / Alarm 2
7. CD/USB-Wiedergabe-/Pause-Taste (▶||)
8. CD/USB-Sprungtaste vorwärts (▶▶)
9. CD/USB-Rückspul-Taste (◀◀)
10. Abstimm-Regler
11. Funktions-Wahlschalter (RADIO/AUX/CD/USB)
12. Remote Sensor
13. Mode-Taste Display / Uhr / Repeat / Program
14. Album-Taste
15. CD offenen Tür Ecke
16. Lautsprecher-Ausgänge (L)
17. Lautsprecher-Ausgänge (R)
18. AUX-IN Eingang
19. Kopfhörerausgang
20. Snooze-Taste

## NETZANSCHLUSS

---

Bevor Sie das Gerät einschalten, vergewissern Sie sich, daß Ihre örtliche Netzspannung mit der auf dem Typenschild angegebenen Spannung übereinstimmt.

Zu Ihrer eigenen Sicherheit lesen Sie sorgfältig die folgende Bedienungsanleitung, bevor Sie das Gerät ans Netz anschließen.

### NETZBETRIEB (AC)

Dieses Gerät funktioniert nur mit einer Spannung von AC 230V 50Hz. Wird das Gerät an andere Stromquellen angeschlossen, könnte es Schaden nehmen.

### Vorsicht

Um elektrischen Schlägen vorzubeugen, trennen Sie das Gerät vom Netz ab, bevor Sie den Deckel entfernen. Verwenden sie keine nutzbaren inneren Teile. Für die Wartung wenden Sie sich an qualifiziertes Kundendienstpersonal.

## Sicherheitsmaßnahmen

Setzen Sie das Gerät weder Regen noch Feuchtigkeit aus.

Stromversorgung: AC 230Volt / 50Hz - nur Wechselstrom (AC)



Dieses Zeichen bedeutet, daß dieses Gerät doppelt isoliert ist. Eine Erdung ist nicht notwendig.

## STROMVERSORGUNG

---

Nehmen Sie das Gerät vorsichtig aus der Verpackung und heben Sie diese für eine spätere Verwendung auf.

### WECHSELSTROM-BETRIEB (AC)

Schließen Sie das Netzkabel an eine AC-Steckdose an. Überprüfen Sie, daß Ihre Stromversorgung 230V, 50Hz beträgt.

## ANSCHLÜSSE

---

### LAUTSPRECHER

Schließen Sie die Lautsprecher an die Lautsprecherbuchsen (16/17) auf der Rückseite des Gerätes an. Schließen Sie den rechten Lautsprecher an die rechte Buchse und den linken Lautsprecher an die linke Buchse an.

## MW-/UKW-TUNER

---

### BETRIEB

- Stellen sequentiell Sie den Funktion-taste (11) auf RADIO (FM oder MW).
- Stimmen Sie die gewünschte Sendestation ab, indem Sie den Abstimm-Regler drehen (10).
- Um das Radio auszuschalten, drücken Sie die POWER-Taste Aus (11) 3 Sekunden.

### ANTENNE

- Für den UKW-Empfang befindet sich auf der Rückseite des Gerätes ein eingebauter UKW-Antennendraht. Bewegen Sie den Draht hin und her, bis der beste Empfang erreicht wird.
- Für den MW-Empfang werden die Signale über die eingebaute Ferrit-Antenne empfangen. Sie brauchen das Gerät nur auszurichten, bis Sie den besten Empfang erreichen.

### UKW UND UKW-STEREO-EMPFANG

Stereo Ton ist möglich wenn die eingestellte UKW-Station in Stereo sendet.



Wenn ein UKW-Signal abgestimmt wird und Sie den Band-Schalter auf UKW stellen, können Sie das Programm in Stereo empfangen. Die UKW-Stereo-Anzeige auf die Display.

## **UHREINSTELLUNG**

1. Stellen Sie sicher, das Gerät im Standby-Modus.
2. Drücken und halten Sie die "CLOCK SET" (13), bis das Gerät die Jahreseinstellung eingetragen.
3. Drücken Sie die "SKIP +" (8) oder "SKIP -" (9) das gewünschte Jahr auswählen.
4. Drücken Sie die "Clock Set" (13)-Taste einmal, um zu bestätigen.
5. Wiederholen Sie Schritt 3 und 4 für die Einstellung Monat, Datum, 12/24Hr, Stunde und Minute

## **ALARM-EINSTELLUNG**

ALARM Einstellung muss nach Einstellung der Uhr abgeschlossen sein. Das Gerät muss in "STANDBY" sein Modus.

Im Folgenden wird mit "AL 1" Alarmeinstellung zum Beispiel:

1. Drücken und halten Sie die Taste "AL 1" für 2 Sekunden, um Alarm Eintrag eingestellten Modus.
2. Stunde einstellen, indem Sie die "SKIP +" (8) oder "SKIP-" (9)-Taste, und drücken Sie die Taste "AL 1" zu bestätigen.
3. Stellen Minute durch Drücken der "Skip-Taste" "SKIP +" oder drücken Sie die Taste "AL 1" zu bestätigen.
- 4 Drücken Sie die "SKIP +" (8) oder "SKIP -" (9), um unter 1 wählen, 2 0,3 oder 4 für Wake-up-Funktion.:

- 1 - FM
- 2 - MP3 (DISC)
- 3 - USB
- 4 - BUZZ

5. Drücken Sie die Taste "AL1" bestätigen. Das Display zeigt "AL1" zeigen, ist ALARM Set komplett.
6. Drücken Sie die Taste "AL1", um den Alarm ON / OFF-Funktion zu aktivieren.
7. Wenn "AL1" ausgeschaltet ist, "AL1" aus dem Display verschwinden.

## **WECKWIEDERHOLUNG**

SNOOZE muss nach abgeschlossen sein ALARM-Einstellung. Wenn der Zeitgeber ausgelöst wird. Sie können die "Snooze"-Taste drücken, um den Alarm fr weitere 10 Minuten Verspätung

## **ZUM UMGANG MIT DEN COMPACT DISCS**

Um eine Disc aus ihrer Schutzhülle zu nehmen, drücken Sie auf die mittlere Halterung und heben Sie die Disc hoch, wobei Sie vorsichtig an den Rändern halten sollten.

Fingerabdrücke und Staub sollten von der bespielten Oberfläche der Disc vorsichtig mit einem weichen Tuch entfernt werden. Im Unterschied zu den herkömmlichen Platten, haben Compact Discs keine Rillen, in denen sich Staub und feinste Schmutzteilchen ansammeln können. Somit werden durch das Abwischen mit einem weichen Tuch die meisten Teilchen entfernt. Wischen Sie in geraden Bewegungen von der Mitte der Disc zum Außenrand. Kleine Staubteilchen oder leichte Streifen beeinflussen keinesfalls die Wiedergabequalität.

Verwenden sie niemals chemische Produkte, wie Plattensprays, Antistatik-Sprays, Benzin oder Verdüner, um Compact Discs zu reinigen. Diese Produkte könnten die Oberfläche der CD ernsthaft beschädigen.

Nach der Verwendung sollten die CDs wieder in ihre Schutzhülle zurückgelegt werden. Damit werden ernsthafte Kratzer vermieden, die das Springen des Laser-Tonabnehmers hervorrufen könnten.

Setzen Sie die Discs nicht längere Zeit dem direkten Sonnenlicht, hoher Feuchtigkeit oder hohen Temperaturen aus. Werden die CDs längere Zeit hohen Temperaturen ausgesetzt, könnten sie sich verformen.

Vermeiden Sie es, auf die beschriftete Seite der CD Aufkleber anzubringen oder mit einem Kugelschreiber darauf zu schreiben.

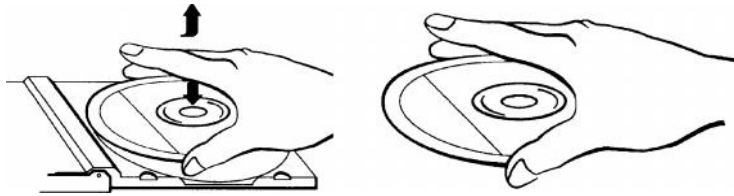
## **WIEDERGABE DER COMPACT DISCS / USB**

### **EINLEGEN UND HERAUSNEHMEN DER COMPACT DISCS**

- Drücken Sie den Funktionswahlschalter (11) auf CD/USB.
- Drücken Sie die CD-Öffnungstaste des CD-Fachdeckels an, um es zu öffnen, nehmen Sie eine Disc aus ihrer Schutzhülle und legen sie vorsichtig, mit der beschrifteten Seite nach oben, ins Fach ein.  
Wenn die Disc kleiner als 3 Zoll ist, legen Sie diese auf die mittlere Spindel im Fach.
- Schließen Sie den Deckel. Ist das CD-Fach richtig geschlossen, beginnt sich die Disc automatisch zu drehen. Die Gesamttitelanzahl der CD erscheint auf dem CD-Display.
- Das CD-Fach kann jederzeit durch das Drücken der Stopp-Taste und das Anheben der Ecke des CD-Fachdeckels geöffnet werden. Entnehmen Sie die CD nur, wenn der Deckel vollständig geöffnet ist.

**VORSICHT**

- Legen Sie nichts anderes, als eine CD ins CD-Fach. Fremdkörper könnten den Mechanismus beschädigen.
- Wenn Sie das Gerät nicht benutzen, lassen Sie das CD-Fach geschlossen, damit weder Schmutz noch Staub in den Mechanismus eindringen können.



- Legen Sie niemals mehrere CDs gleichzeitig ins CD-Fach.
- Wenn die Disc richtig eingelegt worden ist, erscheinen die folgenden Informationen auf dem Display:

Gesamtanzahl der Titel auf der Disc

Hinweise: Nachdem der Deckel vollständig geschlossen worden ist, könnte die CD-Information nicht auf dem Display erscheinen. Das bedeutet, daß die Disc nicht richtig eingelegt worden ist (meist falsch herum). Überprüfen Sie, indem Sie erneut das CD-Fach öffnen und die Disc richtig einlegen.

**CD/USB-WIEDERGABE**

- Drücken Sie die CD/USB-Öffnungstaste des CD/USB-Fachdeckels an, um das CD-Fach zu öffnen, und legen Sie eine CD/USB ein.
- Schließen Sie das CD/USB-Fach.
- Drücken Sie die Wiedergabe/Pause-Taste (7). Die Wiedergabe der player beginnt vom ersten Titel an.  
Ein bestimmter Titel kann mit beiden CD/USB-Sprungtasten (8,9) gewählt werden. Geschieht dies, bevor die Wiedergabe/Pause-Taste gedrückt wurde, beginnt die Wiedergabe mit diesem Titel, wenn die Wiedergabe/Pause-Taste gedrückt wird.
- Am Ende der tritt das Gerät in den Stopp-Modus und die Wiedergabeanzeige wird ausgeschaltet.

Hinweise: Wenn die player schwer zerkratzt oder zu schmutzig ist, könnte die Wiedergabe nicht starten.

Wird eine nicht richtig zentrierte abgespielt, könnten Geräusche im Mechanismus gehört werden. Sie sollten die Verwendung solcher vermeiden.

**WICHTIGE INFORMATION (CD)**

Dieser CD-Spieler hat einen eingebauten Fehlerkompensationskreislauf, der geringfügige Fehler einer Disc korrigiert. Jedoch sind dieser Funktion Grenzen gesetzt. In einigen Fällen könnte der CD-Spieler während der Wiedergabe einige Titel oder Titelstellen überspringen. Dieses Problem könnte durch Fehler (wie Kratzer) auf der gerade wiedergegebenen Disc hervorgerufen werden, die die Fehlerausgleichfunktion nicht beseitigen kann. Wenn Sie auf dieses Problem stoßen, überprüfen Sie die Funktionstüchtigkeit des CD-Spielers wie folgt, bevor Sie das Gerät in Betrieb nehmen. Spielen Sie eine neue Disc ab. Wenn der CD-Spieler normal funktioniert, ist das Springen voraussichtlich auf eine fehlerhafte CD zurückzuführen.

**ZEITWEILIGES STOPPEN EINER CD/USB**

- Drücken Sie die Stop-Taste (25). Die CD/USB-Wiedergabe wird gestoppt, und das Display zeigt die Gesamtanzahl der CD/USB/SD an.
- Um zeitweilig die CD/USB-Wiedergabe zu stoppen (Pause-Modus), drücken Sie die Wiedergabe/Pause-Taste (7). Die CD/USB-Wiedergabe stoppt an der gerade wieder-gegebenen Stelle. Die Wiedergabe/Pause-Anzeige (7) blinkt.
- Um die Wiedergabe der Disc fortzusetzen, drücken Sie erneut die Wiedergabe/Pause-Taste.

**TITELSPRUNG (CD/USB)****STARTEN DER DISC-WIEDERGABE VOM ANFANG EINES BESTIMMTEN TITELS**

Drücken Sie eine der Titelsprungtasten Vorwärts oder Rückwärts (8,9), um den gewünschten Titel zu wählen. Die Nummer des gewünschten Titels erscheint auf dem LCD Display. Drücken Sie die Wiedergabe/Pause-Taste (7), um die Wiedergabe zu starten.

**ZUM NÄCHSTEN TITEL SPRINGEN**

Drücken Sie einmal die Titelsprungtaste Vorwärts (8). Die Player wird vom Anfang des nächsten Titels.

Der Spieler springt jedesmal voraus zum nächsten Titel, wenn Sie die Titelsprungtaste Vorwärts (8) drücken. Wenn Sie die Titelsprungtaste Vorwärts (8) wiederholt drücken, durchspringt der Spieler die Disc vorwärts, Titel für Titel. Wenn der Anfang des letzten Titels erreicht ist, kehrt der Spieler zu Titel 1 zurück.

**ZURÜCKSPRINGEN ZUM VORHERIGEN TITEL AUF EINER TITRL**

Drücken Sie die Titelsprungtaste Rückwärts (9) zweimal. Die Disc-Wiedergabe wird vom Anfang des vorherigen Titels.

Der Spieler springt jedesmal einen Titel zurück, wenn die Titelsprungtaste Rückwärts (9) gedrückt wird. Wenn diese Taste in der Mitte eines Titels gedrückt wird, springt der Spieler zurück an den Anfang dieses Titels. Um an den Anfang des vorherigen Titels zurückzuspringen, drücken Sie die Titelsprungtaste Rückwärts (9) zweimal.

Wenn Sie die Titelsprungtaste Rückwärts wiederholt drücken, durchspringt der Spieler die Disc rückwärts, Titel für Titel. Wenn der Anfang des ersten Titels erreicht ist, kehrt der Spieler zum letzten Titel zurück.

**Hinweise:** Die Titelsprungtasten Vorwärts und Rückwärts (8,9) können verwendet werden, um einen gewünschten Titel zu wählen, bevor die Player gestartet wird. In diesem Fall erscheint die Nummer des gewählten Titels auf dem Display, bis die Wiedergabe/Pause-Taste gedrückt wird.

### **PROGRAMMIERTE CD/USB-WIEDERGABE**

Es ist nicht möglich, Programme während der Player einzugeben. Drücken Sie zuerst die Stop-Taste (7) und befolgen Sie dann die untenstehenden Anweisungen.

Drücken Sie die PROGRAM -Taste (13). Die "P-01"- und Program-Anzeigen blinken.

Drücken Sie die Titelsprungtaste Vorwärts und Rückwärts (8,9), um den Titel zu wählen, der auf Speicherplatz 1 gespeichert werden soll.

Drücken Sie die PROGRAM-Taste (13). Die erste Programmwahl befindet sich nun im Programmspeicher.

Wählen Sie mit den Titelsprungtasten Vorwärts und Rückwärts (8,9) den nächsten Titel, der programmiert werden soll.

Drücken Sie die PROGRAM -Taste (13), um diesen Titel zu speichern.

Auf diese Weise können Sie alle gewünschten Titel (bis zu 20) speichern. Wenn Sie die PROGRAM -Taste (13) drücken, um den 20. Titel zu speichern, kehrt das Display zum ersten Speicherplatz zurück. Drücken Sie die PROGRAM -Taste (13), um die Speicherplätze einzusehen.

### **WIEDERGABE DER PROGRAMMIERTEN TITEL (CD/USB)**

Drücken Sie die Wiedergabe/Pause-Taste (7). Die Disc-Wiedergabe startet vom ersten programmierten Titel.

### **LÖSCHEN DES PROGRAMMSPEICHERS (CD/USB)**

Wenn die Disc gerade wiedergegeben wird, drücken Sie die Stop-Taste (7), um die Wiedergabe zu stoppen.

Drücken Sie den Funktionswahlschalter (11) auf eine andere Position (RADIO oder AUX), um das Programm zu löschen.

### **WIEDERHOLTE CD/USB-WIEDERGABE**

Verwenden Sie die MODE-Taste (13), um die ganze Disc oder einen Titel wiederholt zu hören.

#### **WIEDERHOLTE WIEDERGABE EINES TITELS**

Drücken Sie die CD/USB-Wiedergabe/Pause-Taste (7) und dann drücken Sie die MODE-Taste (13) einmal. Die REPEAT-Anzeige blinkt.

Wählen Sie den gewünschten Titel, indem Sie die Titelsprungtaste Vorwärts oder Rückwärts (8,9) drücken. Der gewählte Titel wird auf dem Display angezeigt.

Der gewählte Titel wird dann bis zum Ende wiedergegeben. An dieser Stelle beginnt erneut die Wiedergabe des Titels vom Anfang an. Das wird fortgesetzt, bis Sie die Stop-Taste (7) drücken. Wenn Sie die MODE-Taste (13) noch einmal drücken, werden die Wiederhol-Anzeigen gelöscht, die wiederholte Wiedergabe wird beendet und die normale Disc-Wiedergabe wird von dieser Stelle an wieder aufgenommen.

Wenn der gewählte Titel wiedergegeben worden ist, stoppt die CD/USB-Wiedergabe.

#### **WIEDERHOLTE WIEDERGABE ALLER TITEL DER CD/USB**

Drücken Sie die Wiedergabe/Pause-Taste (7) und dann die Wiederhol-Taste (13) zweimal. Die REPEAT-Anzeige leuchtet auf.

Die Disc wird dann bis zum Ende des letzten Titels wiedergegeben. An dieser Stelle beginnt automatisch die Wiedergabe des ersten Titels der Disc. Das wird fortgesetzt, bis die Stop-Taste (7) gedrückt wird.

Wenn Sie die MODE-Taste (13) noch einmal drücken, wird die Wiederhol-Anzeige gelöscht, die wiederholte Wiedergabe wird beendet und die normale Wiedergabe der Disc wird von dieser Stelle an wieder aufgenommen.

Wenn der letzte Titel wiedergegeben worden ist, stoppt der Spieler.

Hinweis : Der "REPEAT ALL"-Modus wirkt auf normalen und programmierten Wiedergaben.

#### **WIEDERGABE STOPPEN**

1. Drücken Sie die Stop-Taste (7). Die CD/USB-Wiedergabe wird gestoppt, und das Display zeigt die Gesamtanzahl der CD/USB an.

2. Drücken Sie die CD/USB-Fach-Öffnungstaste, um die Disc herauszunehmen.

#### **ACHTUNG!**

DIESES PRODUKT IST IN DER LAGE CD-RW ABZULESEN. DENNOCH KANN ES PASSIEREN, DASS BEI DER WIEDERGABE EINIGE CD-ARTEN NICHT KORREKT WIEDERGEgeben WERDEN. DAHER KANN DIE WIEDERGABE ALLER-CD-RW NICHT GARANTIERT WERDEN.

